

Clamping Angles

1906.640



Product Description

Material

- Grey cast iron GG

More information

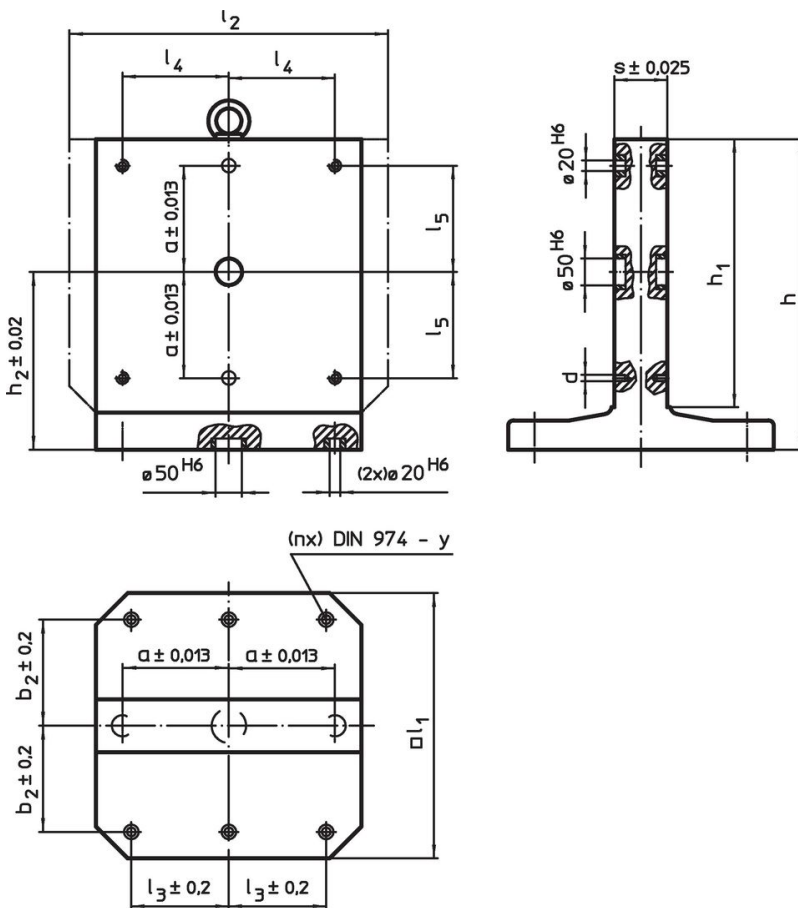
Notes

Special plates on request.


Further products

- Threaded Lifting Pins, self-locking

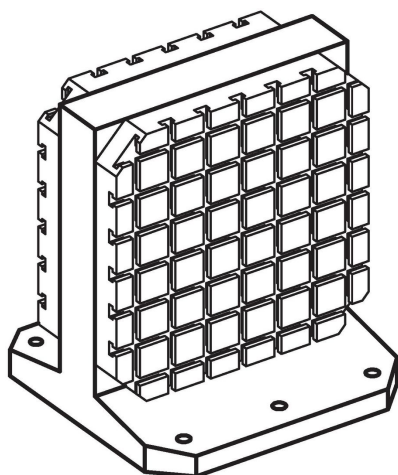
Drawing



Order information

Dimensions											y	For screws	Number of fastening holes n	 [kg]	Art. No.
l_1	h_1	h	a ± 0.013	b_2 ± 0.2	l_3 ± 0.2	l_4	l_5	h_2 ± 0.02	s ± 0.025	d					
630	630	725	200	200	200	200	200	410	130	M16	16	M12	6	445	1906.640

Application example



Compliance

RoHS compliant

Contains lead - compliant according to exceptions 6a / 6b / 6c.

Contains SVHC substances >0,1% w/w

Contains lead - SVHC list [REACH] as of 27.06.2024.

Contains Proposition 65 substances



Lead can cause cancer and reproductive harm from exposure
<https://www.P65Warnings.ca.gov/>

Free from Conflict Minerals

This product does not contain any substances designated as "conflict minerals" such as tantalum, tin, gold or tungsten from the Democratic Republic of Congo or adjacent countries.