

Clamping Angles

1906.240



Product Description

Material

- Grey cast iron GG

More information

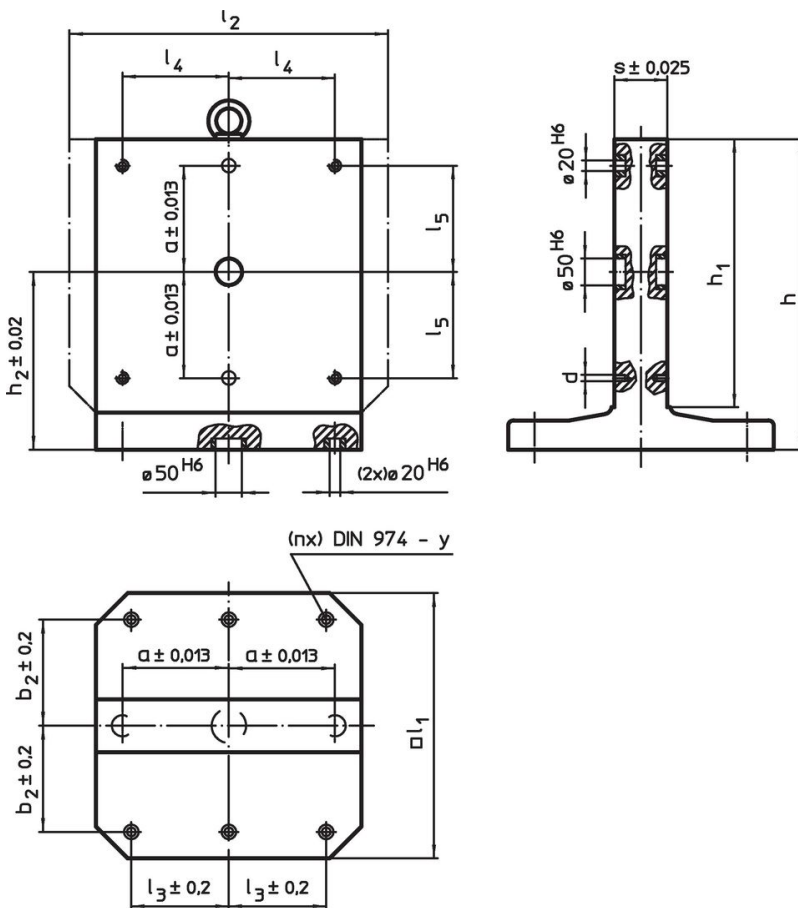
Notes

Special plates on request.


Further products

- Threaded Lifting Pins, self-locking

Drawing



Order information

l_1	h_1	h	Dimensions								y	For screws	Number of fastening holes n		Art. No.	
			a	b_2	l_3	l_4	l_5	h_2	s	d						
			± 0.013	± 0.2	± 0.2				± 0.02	± 0.025		[mm]	[mm]		[kg]	
400	400	475	150	150	150	100	100	275	80	M12	12	M12	4	147	1906.240	

Application example



Compliance

RoHS compliant

Contains lead - compliant according to exceptions 6a / 6b / 6c.

Contains SVHC substances >0,1% w/w

Contains lead - SVHC list [REACH] as of 27.06.2024.

Contains Proposition 65 substances



Lead can cause cancer and reproductive harm from exposure
<https://www.P65Warnings.ca.gov/>

Free from Conflict Minerals

This product does not contain any substances designated as "conflict minerals" such as tantalum, tin, gold or tungsten from the Democratic Republic of Congo or adjacent countries.