

## Multi-Vices • MS 125

1700.300



## Product Description

**Scope of application:**

- Can be applied horizontally and vertically - therefore suitable for vertical and horizontal CNC milling machines
- Conventional clamping, gripper clamping or pull-down clamping are all possible
- MS 125-S - ideal for use on five-axis machining centres
- Clamping of unmachined parts, saw-cut or flame-cut material by penetration of hardened, replaceable gripper elements into the workpiece
- With the support jaws, unmachined parts in highly varied materials, or with complex geometries, can be clamped securely and economically

**Product features:**

- High versatility - the modular clamping system combines practically all the possibilities of our tried-and-tested models
- High-pressure spindle with power intensification - clamping force does not slacken
- Enlarged clamping span for secure clamping of unmachined parts
- Lost clamping margin 8 mm with pull-down clamping, 3 mm with gripper clamping
- Clamping with torque wrench (max. 30 Nm) - this makes it possible to work above the table with an unfavourable clamping arrangement on the tool

**Scope of supply:**

- 1 high-pressure vice without jaws
- 1 set of clamping claws
- 3 socket screw wrenches
- 1 hexagonal insert for torque wrench 3/8"

**Please order the clamping jaws separately.**

**Material**

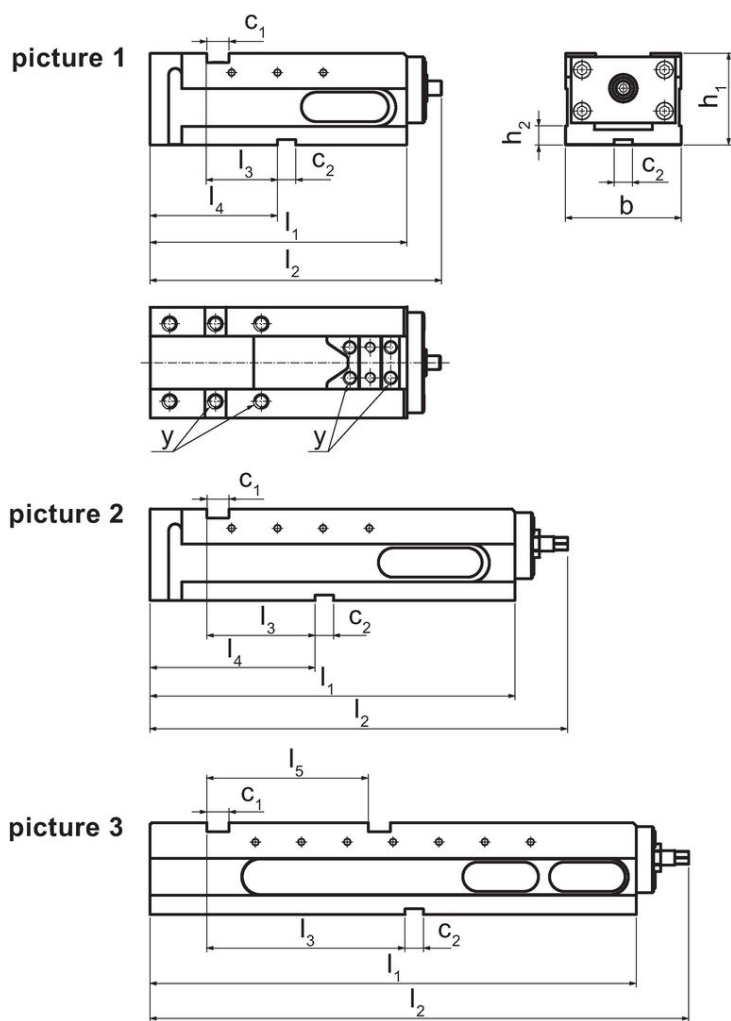
- Ductile cast iron (GGG 60)

**More information****Further products**

- Multi-Vices, MS 125eco
- Workpiece Stops, swivelling
- Workpiece Stops
- Torque Wrenches
- Clamping Claws
- Aligning and Fixing Sets
- Step Jaws
- Base Jaws, hard
- Pivot Jaws, movable
- Master Jaw Adapters
- Jaws, Soft
- Snap-On Parallels, click
- Jaws, ribbed
- Base Jaws, Soft
- Prismatic Jaws
- Step Jaws
- Mounting Screws, for jaws
- Support Jaws, orienting
- Support Jaws
- Step Jaws, for gripper studs
- Universal Gripsets
- Gripper Studs
- Locating Pins, for gripper studs
- Supporting Plates
- Gripper Studs, pointed
- Gripper Studs, low
- Gripper Studs, four-point
- Gripper Studs, smooth
- Gripper Studs, round
- Pull-Down Sets, low
- Pull-Down Sets, high
- Wedge Adapters, low
- Wedge Adapters, high
- Wedge Elements, four-point
- Wedge Elements, microgripper
- Wedge Elements, coated
- Wedge Elements, round
- Seating Pins
- Jaws for Five-Sided Machining
- Jaw Sets for Five-Sided Machining
- Gripper Strips, reversible

- Wedge Adapters, for jaws for five-sided machining
- Insertable Plates
- Mounting Screws, for jaws for five-sided machining

**Drawing**



**Order information**

Jaw width [mm]	Dimensions [mm]										Tightening torque max. [Nm]	Clamping force max. [kN]	Weight [kg]	Art. No.
	b	l <sub>1</sub>	l <sub>2</sub>	l <sub>3</sub>	l <sub>5</sub>	h <sub>1</sub>	h <sub>2</sub>	c <sub>1</sub>	c <sub>2</sub>	y				
<b>MS 125-L – picture 3</b>														
125	126	530	587	216	176	100	21	24	20	M12	30	40	35	1700.300

**Compliance**

**RoHS compliant**

Compliant according to Directive 2011/65/EU and Directive 2015/863.

**Does not contain SVHC substances**

No SVHC substances with more than 0.1% w/w contained - SVHC list [REACH] as of 27.06.2024.

**Does not contain Proposition 65 substances**

No Proposition 65 substances included.

<https://www.P65Warnings.ca.gov/>

**Free from Conflict Minerals**

This product does not contain any substances designated as "conflict minerals" such as tantalum, tin, gold or tungsten from the Democratic Republic of Congo or adjacent countries.