

## Clamping Angles

1606.600



### Product Description

#### Material

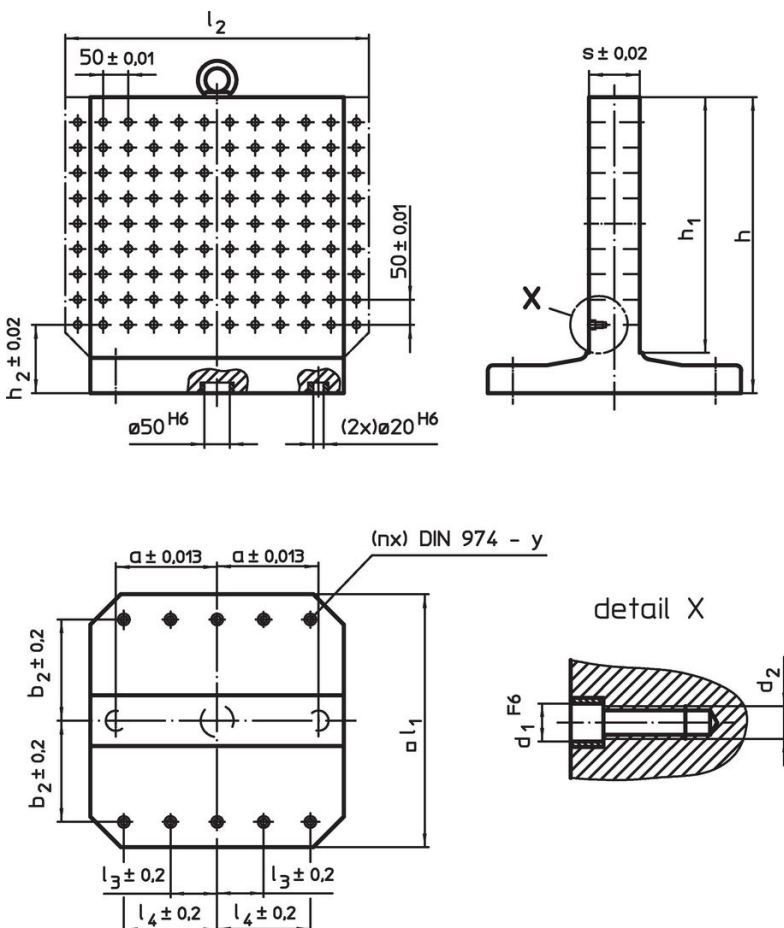
- Grey cast iron GG

#### More information

#### Notes

Special types on request.

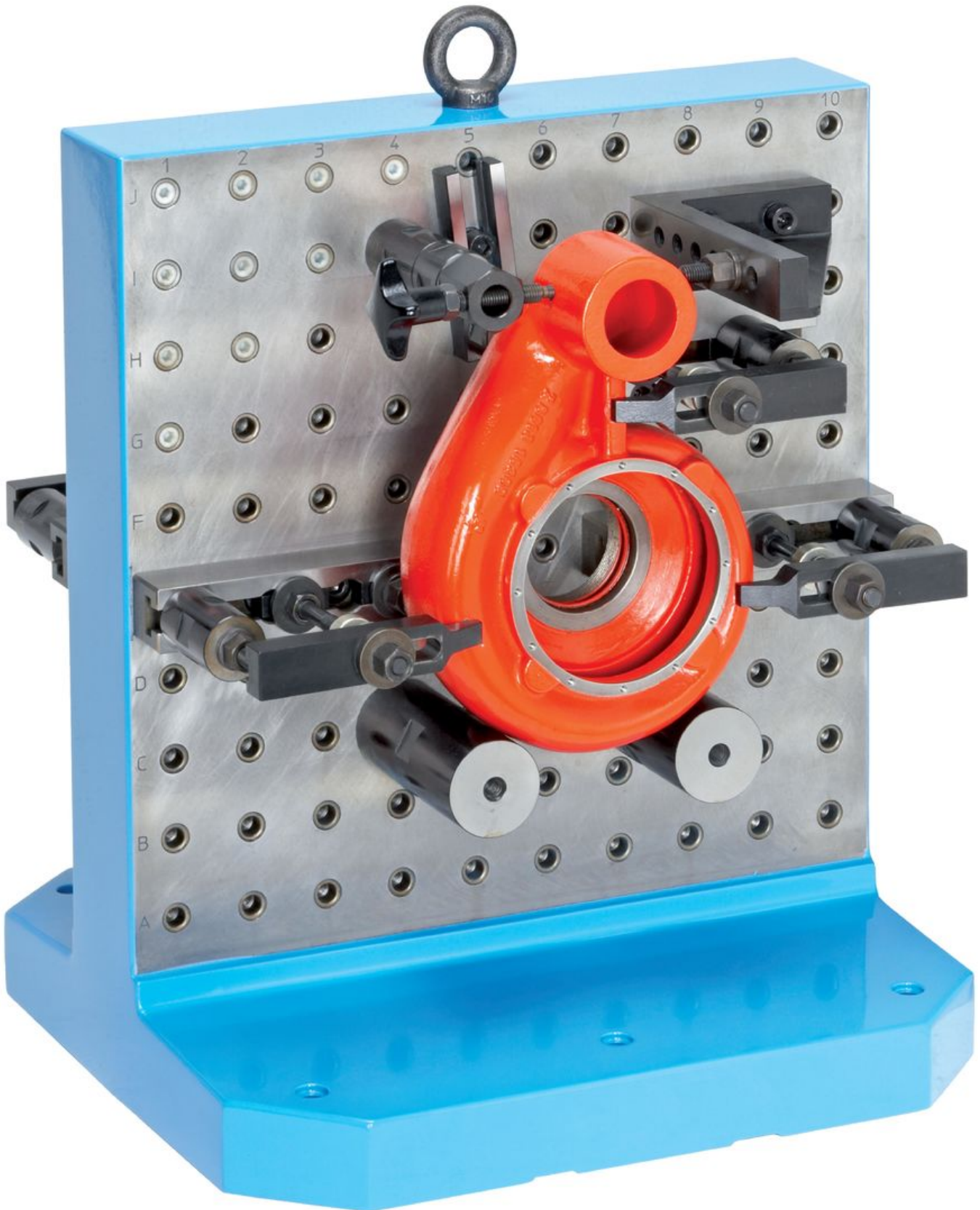
### Drawing

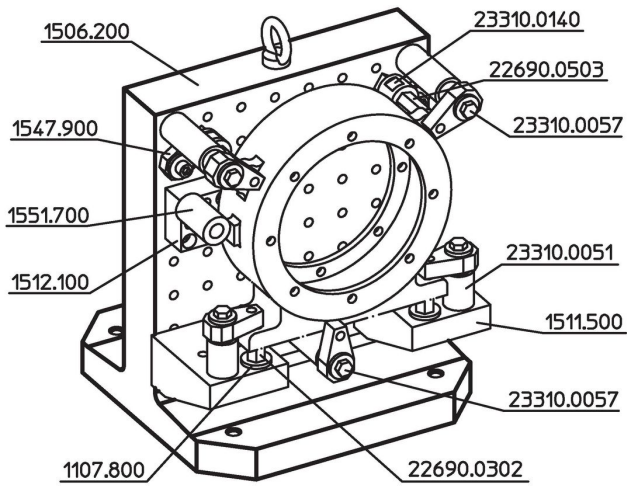


### Order information

System	Dimensions										y	For screws	Number of fastening holes n	Number of hole rows	[kg]	Art. No.
	$l_1$	$h_1$	h	$h_2$	$d_1$	$d_2$	a	$b_2$	$l_4$	s						
L16	630	630	725	135	16	M16	200	200	200	130	16	M16	6	12 x 12	440	1606.600

Application example





## Compliance

### RoHS compliant

Contains lead - compliant according to exceptions 6a / 6b / 6c.

### Contains SVHC substances >0,1% w/w

Contains lead - SVHC list [REACH] as of 23.01.2024.

### Contains Proposition 65 substances



Lead can cause cancer and reproductive harm from exposure  
<https://www.P65Warnings.ca.gov/>

### Free from Conflict Minerals

This product does not contain any substances designated as "conflict minerals" such as tantalum, tin, gold or tungsten from the Democratic Republic of Congo or adjacent countries.