

Supporting Bars

1550.000

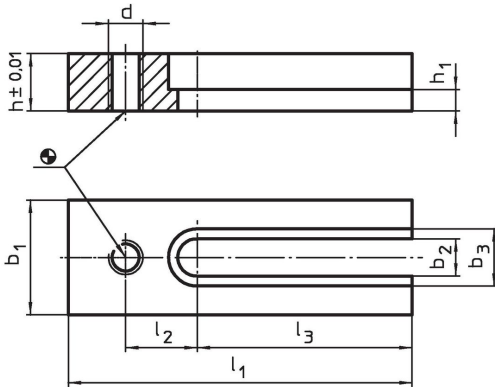


Product Description

Material

- Steel, case-hardened, ground

Drawing



Order information

System	Dimensions									[g]	Art. No.
	l_1	b_1	h	l_2	l_3	b_2	b_3	h_1	d		
L12	120	40	20	25	75	13	20	7.5	M12	492	1550.000

Compliance

RoHS compliant

Compliant according to Directive 2011/65/EU and Directive 2015/863.

Does not contain SVHC substances

No SVHC substances with more than 0.1% w/w contained - SVHC list [REACH] as of 27.06.2024.

Does not contain Proposition 65 substances

No Proposition 65 substances included.

<https://www.P65Warnings.ca.gov/>

Free from Conflict Minerals

This product does not contain any substances designated as "conflict minerals" such as tantalum, tin, gold or tungsten from the Democratic Republic of Congo or adjacent countries.