

Clamping Cubes

1508.400



Product Description

Material

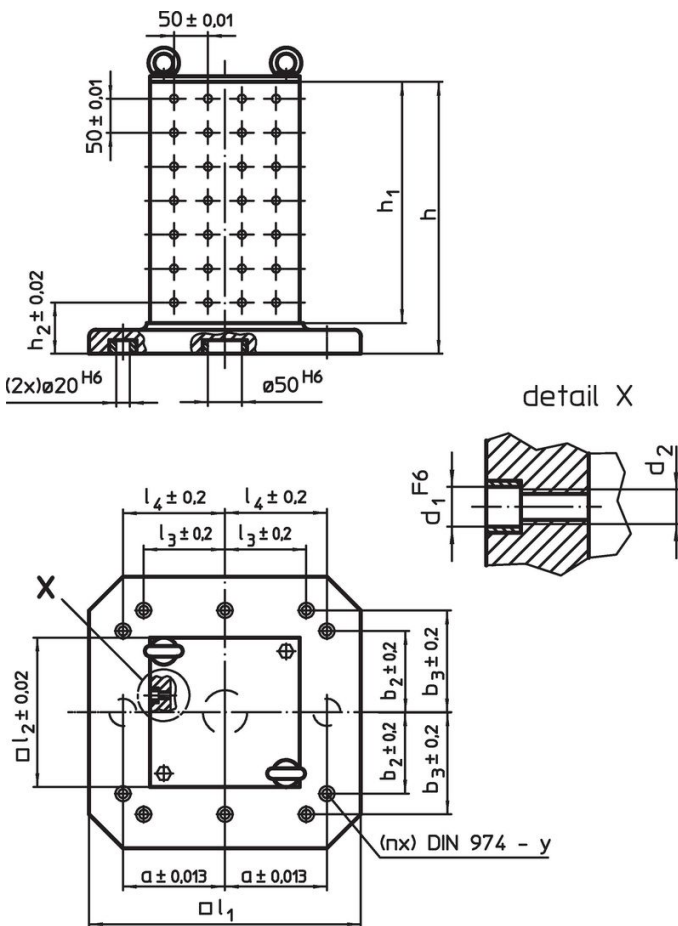
- Grey cast iron GG

More information


Notes

Special types on request.

Drawing



Order information

System	Dimensions										y	For screws	Number of fastening holes n	Number of hole rows	 [kg]	Art. No.
	l_1	l_2	h_1	h	h_2	d_1	d_2	a	b_2	l_4						
L12	500	330	510	565	85	12	M12	200	200	200	12	M12	6	6 x 10	204	1508.400

Compliance

RoHS compliant

Contains lead - compliant according to exceptions 6a / 6b / 6c.

Contains SVHC substances >0,1% w/w

Contains lead - SVHC list [REACH] as of 27.06.2024.

Contains Proposition 65 substances



Lead can cause cancer and reproductive harm from exposure
<https://www.P65Warnings.ca.gov/>

Free from Conflict Minerals

This product does not contain any substances designated as "conflict minerals" such as tantalum, tin, gold or tungsten from the Democratic Republic of Congo or adjacent countries.