

Base Plates

1002.100



Product Description

Material

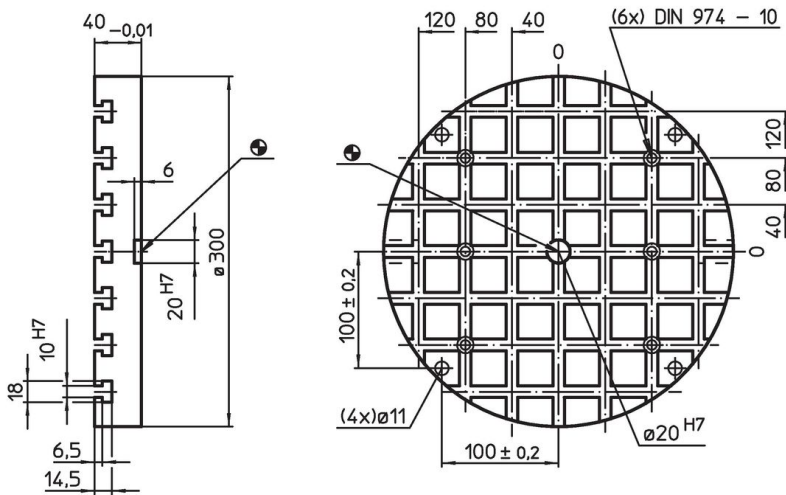
- Steel, hardened, ground

More information


Notes

Customized design on request.

Drawing



Order information

System	Dimensions		Number of T-slots	 [kg]	Art. No.
	b ₁	d ₁			
V40	100	300	7 x 7	15	1002.100

Application example



Compliance

RoHS compliant

Contains lead - compliant according to exceptions 6a / 6b / 6c.

Contains SVHC substances >0,1% w/w

Contains lead - SVHC list [REACH] as of 27.06.2024.

Contains Proposition 65 substances



Lead can cause cancer and reproductive harm from exposure
<https://www.P65Warnings.ca.gov/>

Free from Conflict Minerals

This product does not contain any substances designated as "conflict minerals" such as tantalum, tin, gold or tungsten from the Democratic Republic of Congo or adjacent countries.